

# INFINISCAN™

World class biometric identification system



- High Reliability
- Industrial Design
- High Identification Speed
- Easy to Install

## **SF30** Fingerprint Access Control Terminal



INFINISCAN™ SF30 series, a professional access control tool offers you the new experience with the innovation of combining the fingerprint verification and an optional function with RFID Card system. INFINISCAN™ SF30 series also provides security control alarm system to prevent any unauthorized dismantle of the reader.

With the features on the combination of fingerprint and card system in INFINISCAN™ SF30 series and together with the alarm system, any unauthorized entries or unwanted intruders can now be avoided to enhance the highest protection for your organization and premises.

[www.infiniscan.com/](http://www.infiniscan.com/)

**Get the SECURITY**  
for your enterprise



### Fingerprint

Your own selection of Fingerprint reader in either optical or silicone material to scan each user's unique fingerprint upon identity authentication.



### RF Card (Optional)

An optional of RFID Card functions as alternative identity verification method for users with poor fingerprints as well as to strengthen security level if choose to use both verification methods.



### TCP/IP Method

INFINISCAN™ SF30 series supports real-time data transfer by deploying TCP/IP as a communicator, improving the communication between reader and computer as well as heightens the quality of the received data.



### Smart Recognition Algorithm

Manage one-to-one (1:1) and one-to-many (1:N) verifications up to a maximum of 3,000 templates. Allowing 360° rotation fingerprint placement with capability to read fingerprint in dry or wet conditions.



### Authentication

Multi-Verification methods of 15 different combinations with Fingerprint, ID Card with Password or ID with Password, or a combination of all to enhance security protection.



### Multiple Languages

INFINISCAN™ SF30 series offer a standard software display language in English but also multinational-languages for user to choose from upon your request.



### High Speed USB Data Transfer

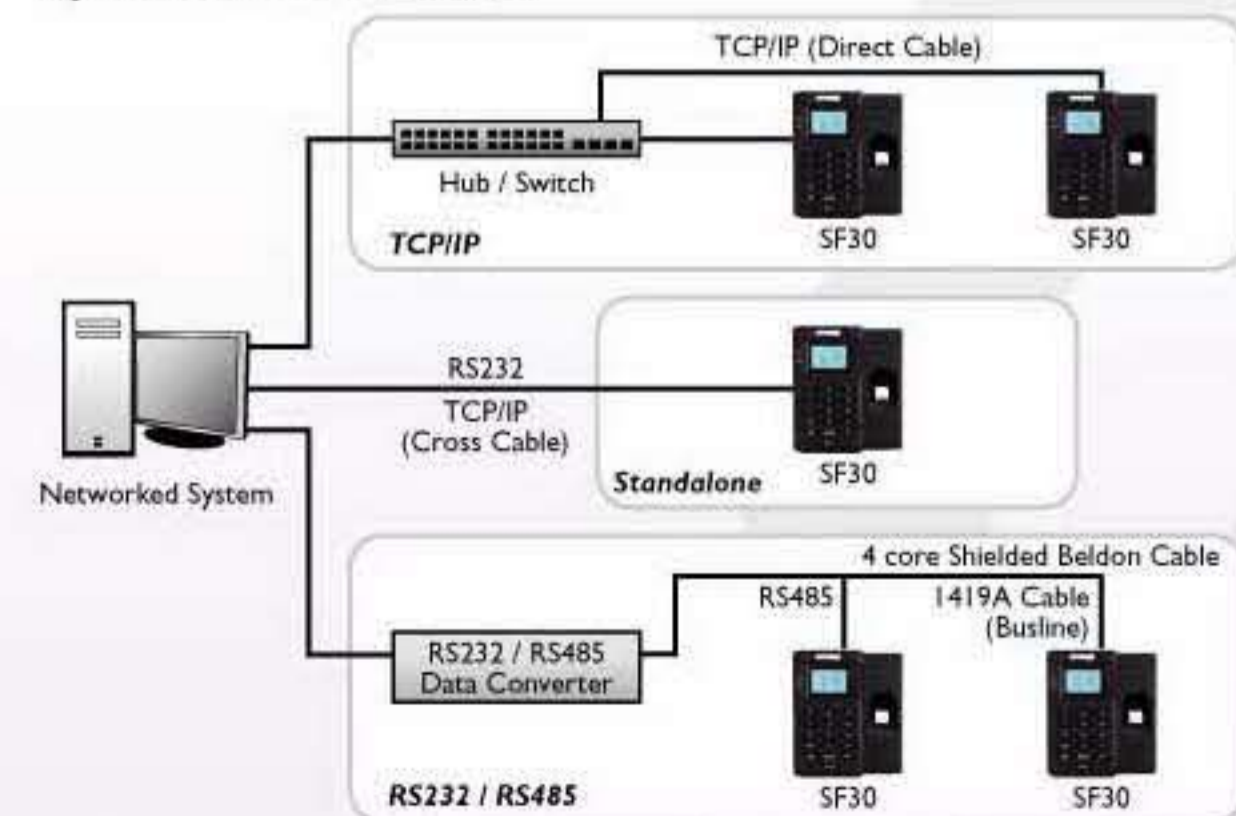
USD Host for easy and sufficient data exchange between reader and reader/computer without complicated use of software and procedures.



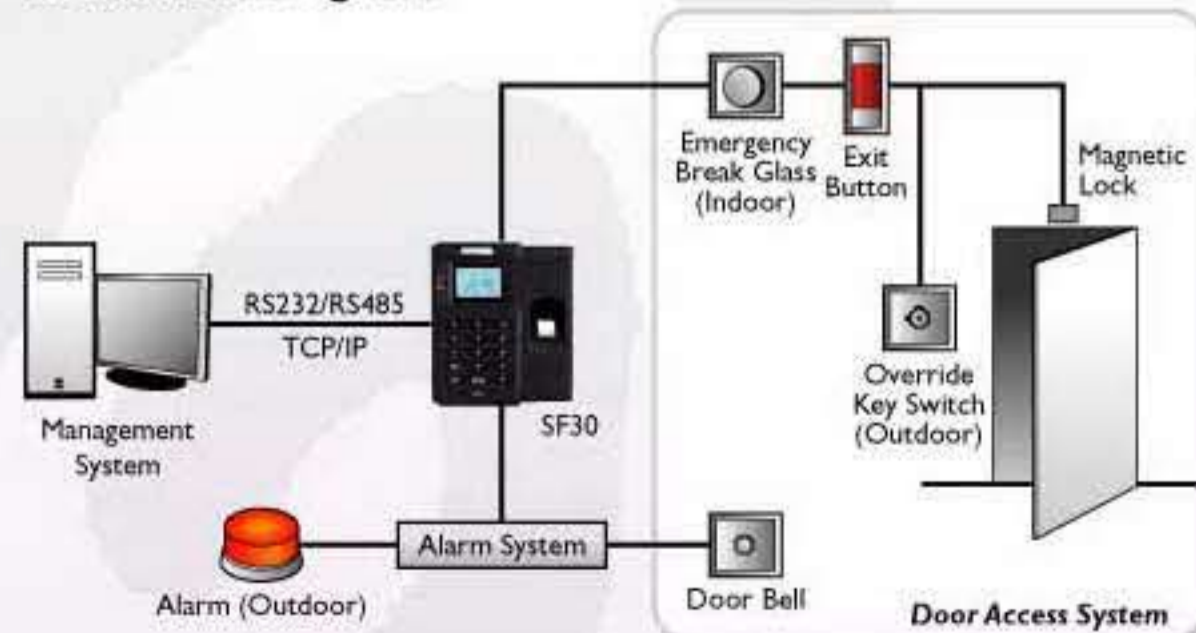
### Wiegand In/Out

INFINISCAN™ SF30 series offer an additional access control advantage using the equipped Wiegand Input/Output communication to incorporate with any third party readers or door access controllers for better Access Control management.

### System Communication



### Installation Diagram



Specification	SF30	SF30 (UPEK)
Display	4 lines, 16 characters each line Graphic Display LCD	4 lines, 16 characters each line Graphic Display LCD
LED indicator/Buzzer	2 LED(Red/Green) / 1 Buzzer	2 LED(Red/Green) / 1 Buzzer
Display Language	Standard: English & Chinese Upon Request: Multinational Language	Standard: English & Chinese Upon Request: Multinational Language
Greeting Voice	N/A	N/A
Keypad & button	16 key numeric & Function keypad	16 key numeric & Function keypad
Dimension	159 x 136 x 40mm	159 x 136 x 40mm
<b>Sensor</b>		
Sensor Type / Resolution	Optical (500 dpi)	Silicon (UPEK TCSI)
Sensing Area	18mm x 22mm	12.8 x 18.0mm
<b>Storage Capacity</b>		
Fingerprint Templates	1,500	1,500
Transaction	50,000	50,000
<b>RF reader</b>		
ID Card: 125 KHZ	Optional	Optional
MIFARE: 13.56 MHz	Optional	Optional
HID	Optional	Optional
<b>Communications</b>		
RS-232/485	YES	YES
TCP/IP	YES	YES
USB Client	N/A	N/A
USB Host	YES	YES
Wi-Fi / GPRS	Optional	Optional
Wiegand	26 bits Input / Output	26 bits Input / Output
<b>Access Control</b>		
Alarm Output	NO & NC ALARM	NO & NC ALARM
EM lock driving output	Yes	Yes
Antipassback	Yes	Yes
<b>Time Attendance</b>		
Schedule Bell	Yes	Yes
Work Code	Optional	Optional
<b>Operation Environment</b>		
Power Consumption	DC 12V, 3A	DC 12V, 3A
Temperature	0 ~ 45	0 ~ 45
Humidity	20% ~ 80%	20% ~ 80%
<b>Verification</b>		
1:1 (Time)	<0.5 sec	<0.5 sec
1:N (Time)	<2 sec	<2 sec
FAR	0.0001%	0.0001%
FRR	1%	1%
Standards Compliance	CE, FCC	CE, FCC

## INFINISCAN™ LIMITED

Block D, 2/F, Wah Shun Industrial Building,  
4 Cho Yuen Street, Yau Tong Bay, Kowloon, Hong Kong.  
Tel : (852) 3586 9192 Fax : (852) 2772 7194  
E-mail : sales@infiniscan.com Website : http://www.infiniscan.com

### Philippine Distributor:



2/F Republic Glass Bldg., 196 Salcedo St., Legaspi Village, Makati City  
Tel. No.: (632)813-4162/63 Fax No.: (632)812-9310  
www.mannasoft.com info@mannasoft.com