

INFINISCAN™

World class biometric identification system



- TCP/IP Communication Protocol

- USB Flash Drive Download Attendance Record

- Embedded Multi-Language interface

S10

Proximity Card Professional Access Control Terminal



INFINISCAN™ S10 series offers the most convenient but reliable door access control that you required, functions as an electronic door lock to protect your organization or premises. INFINISCAN™ S10 series allows a maximum data storage up to 30,000 individuals, each individual's data were stored in the each card where access will not be acquired without presentation of the card.

INFINISCAN™ S10 series is a convenient tool for door access control while eliminating the risks of losing keys and having unauthorized entries.

www.infiniscan.com/

Get the SECURITY
for your enterprise



TCP/IP Method

INFINISCAN™ S10 series installed with TCP/IP as a communicator between reader and computer that supports real-time data transfer for easy and efficient data management.



High Performance CPU

32BIT Intel CPU for fast and sufficient process.



Linux O/S

Embedded with advanced Linux Operation System which can operate consecutively for 24 hours with reliable and stable performance.



Authentication

Supports multi-authentication with RFID card or ID with Password or both for user's convenience and high-level of protection you required.



Multiple Languages

INFINISCAN™ S10 series offers standard display language in English or any multi-national languages upon request.



High Speed USB Data Transfer

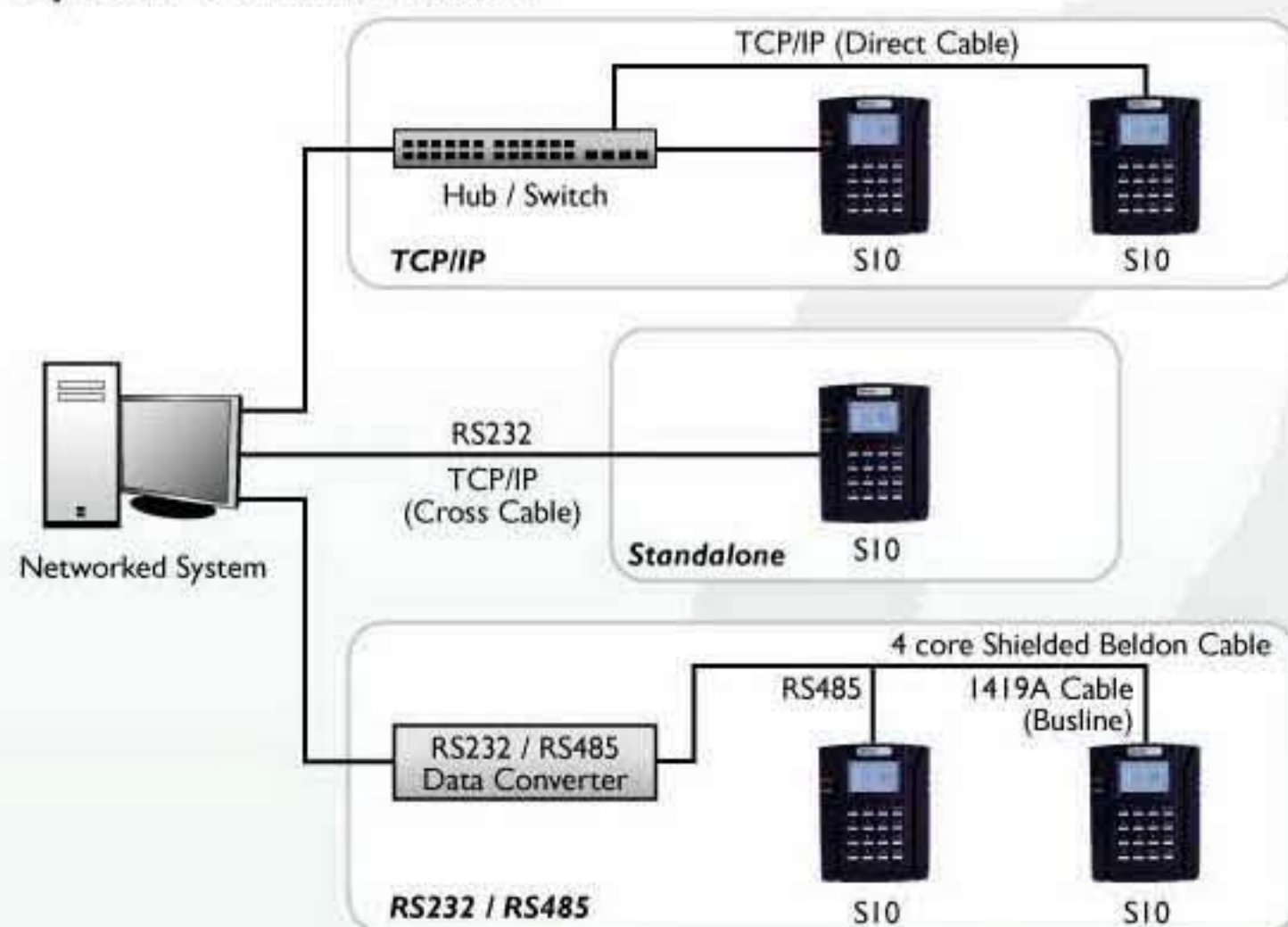
Embedded with USB Host for easy and sufficient data exchange between reader and reader/computer without complicated use of software and procedures.



Wiegand In/Out

INFINISCAN™ S10 series equipped with Wiegand Input/Output communication to incorporate with any third party readers or door access controllers for better access control and management.

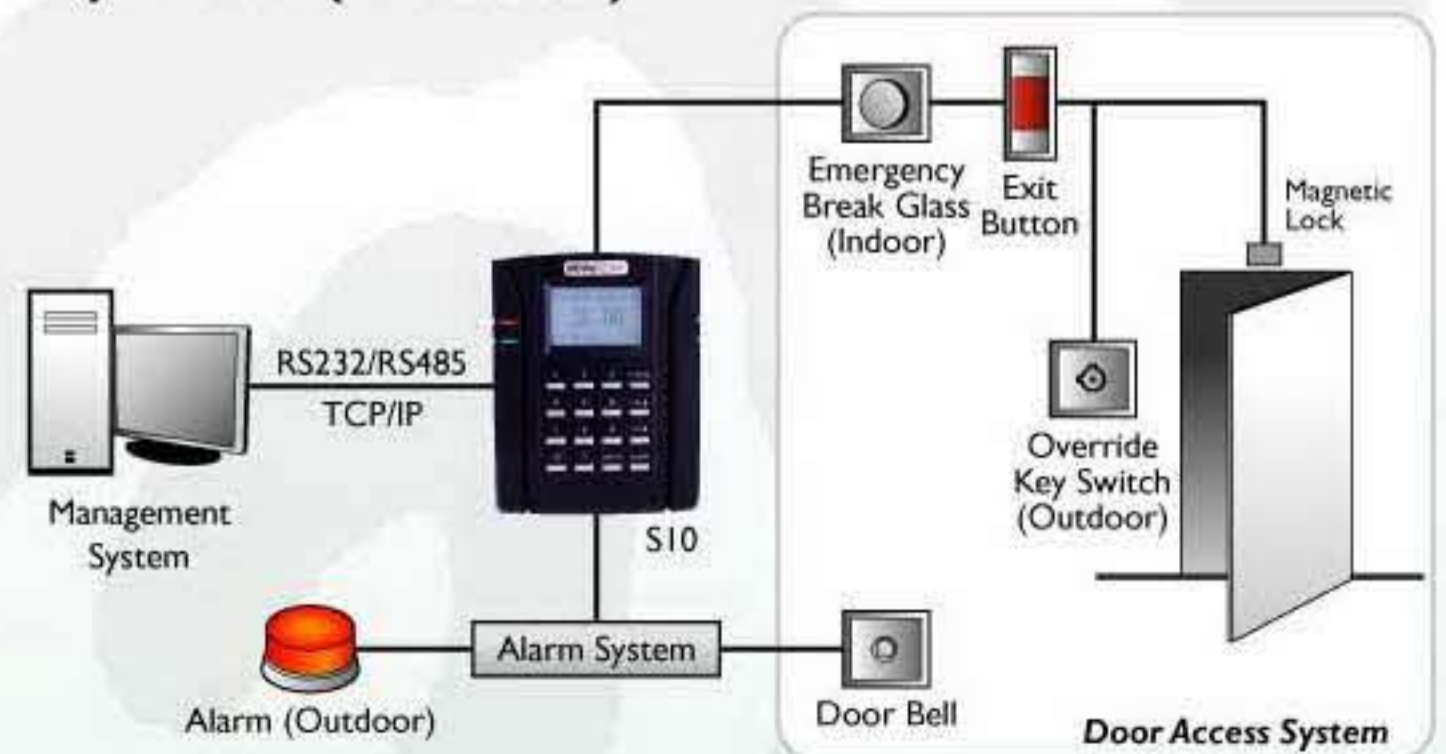
System Communication



Specification	S10
RF reader	125 KHz ID Card
Card Reading Distance	10-15 cm
Display	4 lines, 16 characters each line Graphic Display LCD
LED indicator/Buzzer	2 LED(Red/Green) / 1 Buzzer
Display Language	Standard: English & Chinese Upon Request: Multinational Language
Greeting Voice	N/A
Dimension	159 x 92 x 40 mm
Storage Capacity	
Card Holders	30,000
Transation	50,000
Communications	
RS-232/485	YES
TCP/IP	YES
USB Host	YES
Wiegand	26 bits Input / Output
Access Control	
Alarm Output	NO & NC ALARM
EM lock driving output	YES
Antipassback	YES
Operation Environment	
Power Consumption	DC 12V, 3A
Temperature	0 ~ 45
Humidity	20% ~ 80%
Standards Compliance	CE, FCC

More Optional Function : Web server, Work code, Wi-Fi, GPRS, Printer, 9 digits-code, Time event transfer, Record checking

Layout Plan (Standalone)



INFINISCAN™ LIMITED

Block D, 2/F, Wah Shun Industrial Building,
4 Cho Yuen Street, Yau Tong Bay, Kowloon, Hong Kong.
Tel : (852) 3586 9192 Fax : (852) 2772 7194
E-mail : sales@infiniscan.com Website : http://www.infiniscan.com

Philippine Distributor:



2/F Republic Glass Bldg., 196 Salcedo St., Legaspi Village, Makati City
Tel. No.: (632)813-4162/63 Fax No.:(632)812-9310
www.mannasoft.com info@mannasoft.com