

INFINISCAN™

World class biometric identification system



- High Reliability
- Industrial Design
- High Identification Speed
- Standalone

S07

Fingerprint Access Control Terminal



INFINISCAN™ S07 series Fingerprint Door Access Control delivers confidence and convenience by using every user's unique fingerprints and eliminating the use of keys, password or card system for door access.

INFINISCAN™ S07 series is designed to eliminate any high cost for intensive labor and expensive equipments while benefits the users with highest protection you desired. INIFINISCAN™ S07 series act as a user-friendly and reliable fingerprint authenticator to ensure high-level protection that your organization or premises requires.

www.infiniscan.com/

Get the SECURITY
for your enterprise



Fingerprint

Fingerprint reader, a tool to scan fingerprint for identity verification. Enrolled fingerprint are stored in the system, without presence of the genuine fingerprint, no access can be acquired.



TCP/IP Method

INFINISCAN™ series S07 installed with TCP/IP as a communicator between reader and computer that supports real-time data transfer for easy and efficient data management.



Smart Recognition Algorithm

Manage one-to-one (1:1) and one-to-many (1:N) verifications of maximum 3,000 templates. Allowing 360° rotation fingerprint placement with capability to read fingerprint in dry or wet conditions to provide quick authentication with high accuracy.



High Performance CPU

Equipped with 32BIT Intel CPU for fast and sufficient process.



Linux O/S

Embedded with advanced Linux Operation System which can operate consecutively for 24 hours with reliable and stable performance.



Multiple Languages

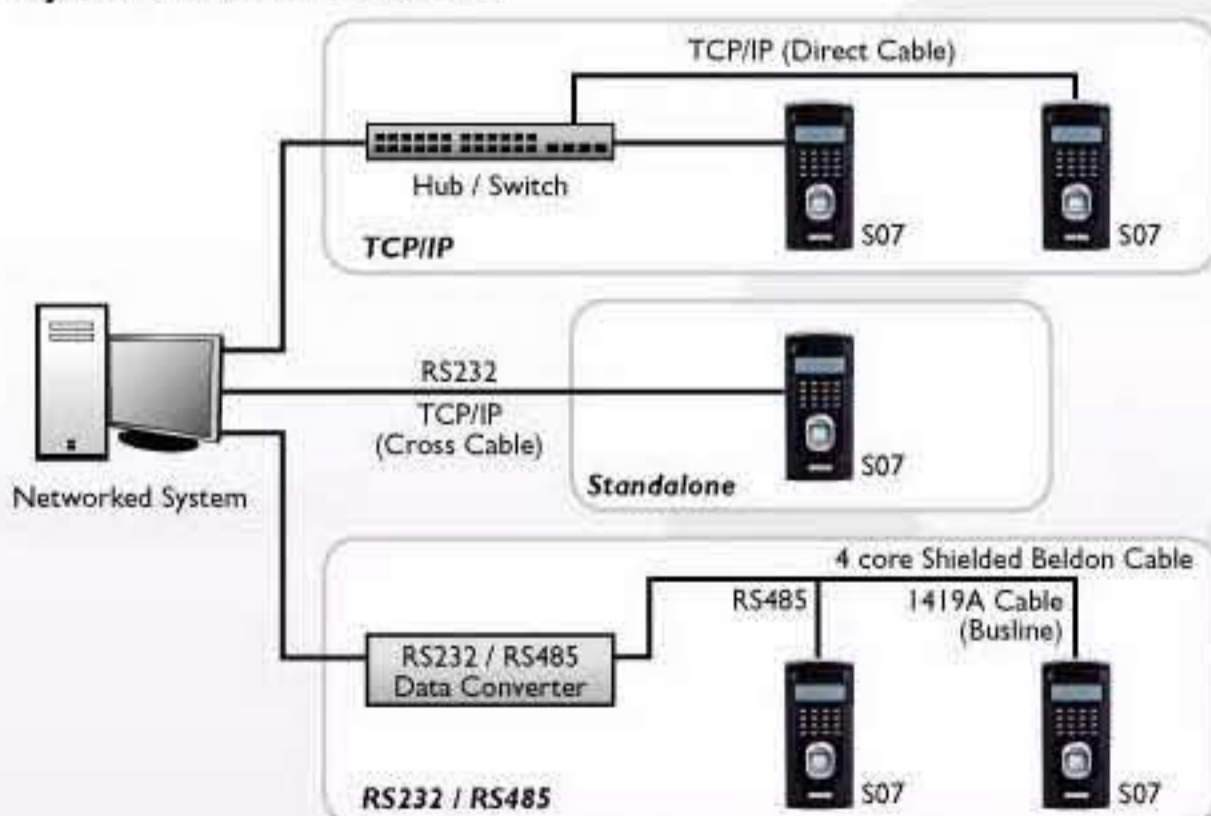
INFINISCAN™ S07 series offer a standard software display language in English but also multinational-languages for user to choose from upon your request.



Wiegand Out

INFINISCAN™ S07 equipped with Wiegand Output communication to incorporate with any third party readers or door access controllers for better access control and management.

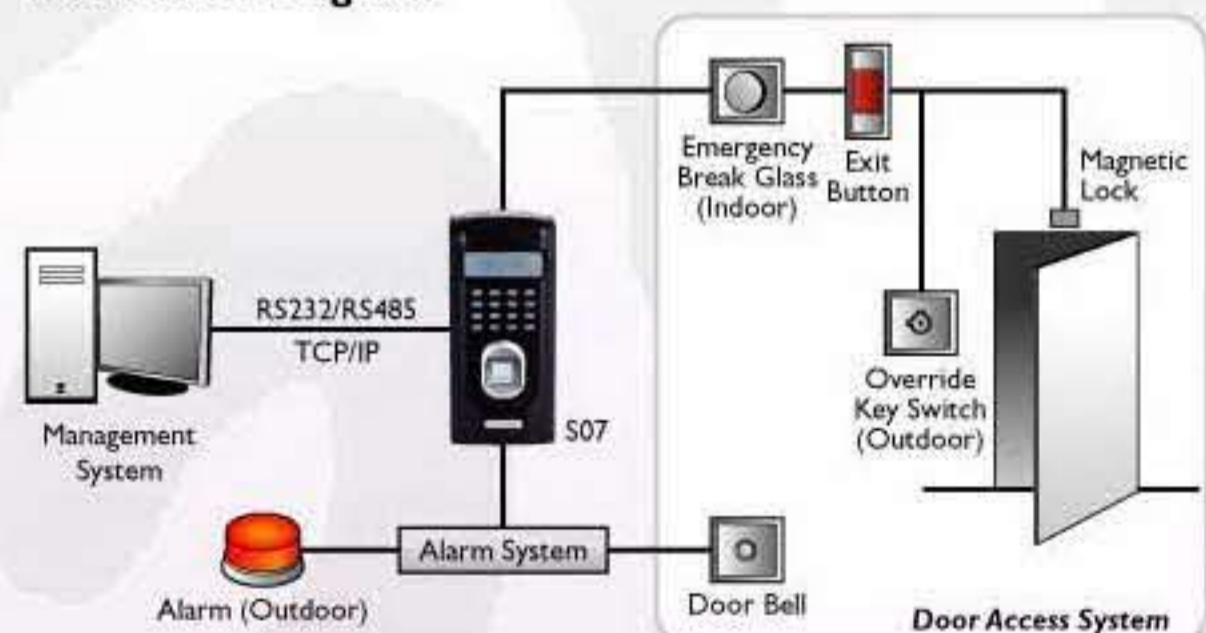
System Communication



Specification	S07
Display	2 lines, 16 characters each line Graphic Display LCD
LED indicator/Buzzer	2 LED(Red/Green) / 1 Buzzer
Display Language	Standard: English & Chinese Upon Request: Multinational Language
Greeting Voice	N/A
Keypad & button	16 key numeric & Function keypad
Dimension	191.5 x 85 x 35mm
Sensor	
Sensor Type / Resolution	Optical (500 dpi)
Sensing Area	18mm x 22 mm
Storage Capacity	
Fingerprint Templates	500
Transaction	30,000
RF reader	
ID Card: 125 KHZ	Optional
MIFARE: 13.56 MHz	Optional
HID	N/A
Communications	
RS-232/485	YES
TCP/IP	YES
USB Client	N/A
USB Host	N/A
GPRS	Optional
Wiegand	26 bits Output
Access Control	
Alarm Output	NO & NC ALARM
EM lock driving output	Yes
Antipassback	N/A
Operation Environment	
Power Consumption	DC 12V, 3A
Temperature	0 ~ 45
Humidity	20% ~ 80%
Verification	
I:I (Time)	<0.5 sec
I:N (Time)	<2 sec
FAR	0.0001%
FRR	1%
Standards Compliance	CE, FCC

More Optional Function : Web server, Work code, SMS, Multi-verification, Printer, RIS, 9 digits-code, Time event transfer, Record checking

Installation Diagram



INFINISCAN™ LIMITED

Block D, 2/F, Wah Shun Industrial Building,
4 Cho Yuen Street, Yau Tong Bay, Kowloon, Hong Kong.
Tel : (852) 3586 9192 Fax : (852) 2772 7194
E-mail : sales@infiniscan.com Website : http://www.infiniscan.com

Philippine Distributor:



2/F Republic Glass Bldg., 196 Salcedo St., Legaspi Village, Makati City
Tel. No.: (632)813-4162/63 Fax No.:(632)812-9310
www.mannasoft.com info@mannasoft.com